



23018

BOARD DIPLOMA EXAMINATION, (C-23)
OCTOBER/NOVEMBER—2025
FIRST YEAR (COMMON) EXAMINATION
ENGINEERING DRAWING

Time : 3 Hours]

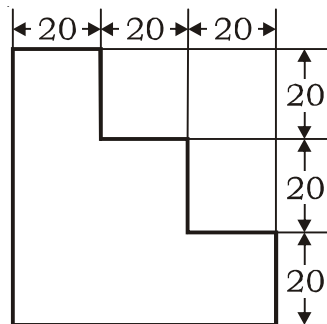
[Total Marks : 60

PART—A

5×4=20

- Instructions :** (1) Answer **all** questions.
(2) Each question carries **five** marks.
(3) All the dimensions are in mm.

1. Write the following using vertical capital letters of 10 mm size :
“KEEPING LOW AIM IS A CRIME”
2. Redraw the following figure in parallel dimensioning method :



3. Draw a regular polygon which is having six equal sides with the length of 40 mm using general method.

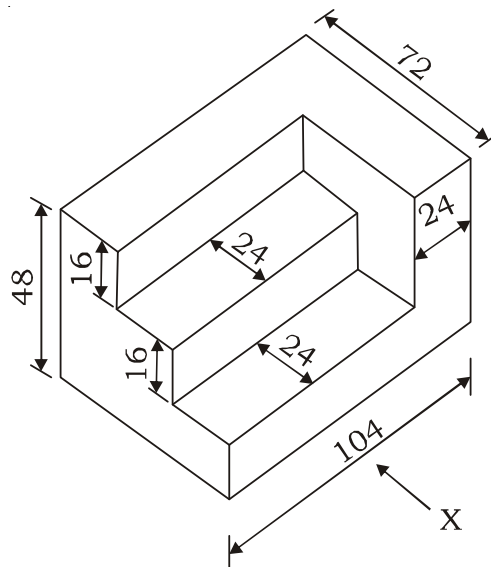
4. Draw the projections of the following points on a common reference line : 2+2
- (a) Point A 35 mm above HP and 40 mm in front of VP.
- (b) Point B on HP and 50 mm in front of VP.

PART—B

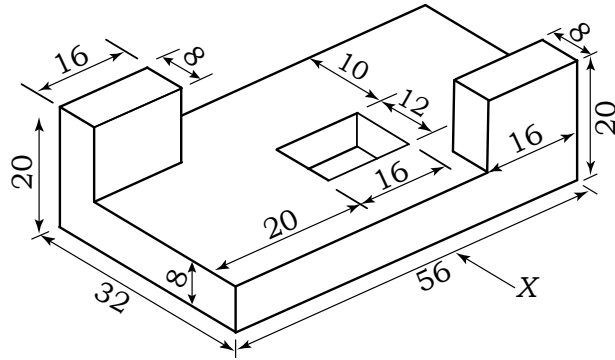
10×4=40

- Instructions :** (1) Answer *any four* questions.
 (2) Each question carries **ten** marks.
 (3) All the dimensions are in mm.

5. Construct a cycloid for a circle with a diameter of 60 mm.
6. A line AB of length 60 mm is inclined at 40° to HP and parallel to VP. The end point A of line is 30 mm above HP and 35 mm in front of VP. Draw its projections.
7. A hexagonal pyramid of height 90 mm and base of 40 mm each side. It is resting on VP on its base such that one of its base edge is resting and parallel to HP.
8. A hexagonal prism, side of base 40 mm and axis 80 mm long, rests at with its base on HP such that one of its rectangular face is parallel to 20 mm in front of VP. A section plane parallel to VP and perpendicular to HP cuts the solid at 15 mm from the axis. Draw its projections.
9. A pictorial drawing is given below. Draw its front view, top view and right-side view.



10. A pictorial drawing is given below. Draw its front view and top view :



★ ★ ★

016